

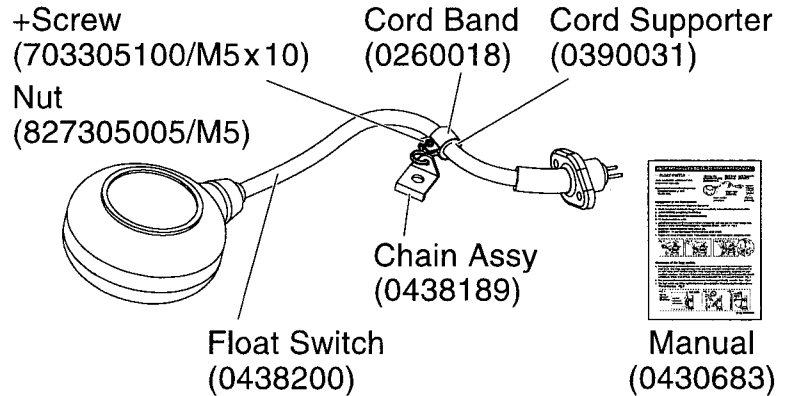
PBX/PBX7 series OPTIONAL COMPONENTS MANUAL

FLOAT SWITCH

Check the all parts and manual book shown on the right side.

Tools required for attachment operation

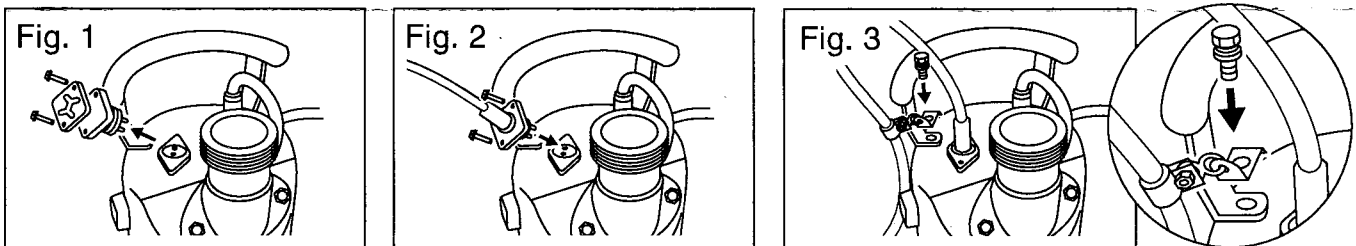
- Hexagonal wrench (4 mm)
- Wrench (13 mm)



Attachment of the float switch

Follow the directions below to attach the float switch.

1. Check that power cord is not plugged in and pump is dry before attaching the float switch.
2. Loosen the bolts and pull out the float cap. Fig. 1
3. Attach the float switch into the terminal opening. Fig. 2
4. Fix the float switch by bolts. Tightening torque : 3.0 N · m
5. Loosen the handle fixing bolt (M8 x 18) on the float cap side and put the metal fittings then, fix back it by the same handle fixing bolt. Tightening torque : 15.0 N · m Fig. 3
6. Check that attachment firmly fixed without gap.
CAUTION : The gap may cause short-circuit and pump failure.
7. Plug in and check that float switch works properly before submersing the pump into water.



Movement of the float switch

1. The pump starts automatically when the water level rises and the float comes up to the ON water level, and stops automatically when the water level falls and the float comes down to the OFF water level. The ON and OFF water levels can be adjusted by loosening the cord band bolt. However, the length of the cord between the cord band and the float switch should be between 60mm and 200mm, otherwise the float switch will not operate normally. Fig. 4
2. The pump should not be installed where water is discharged directly on to the float. Fig. 5
3. The float switch should be installed where it does not come into contact with walls or is any other obstructions. Fig. 6

