

SEWAGE GRINDER

submersible pump for
sewage water



waste water



domestic use

Max Head 12 - 15m

Max Flow 16 - 70m³/h

Motor Power 0.75 - 4 Kw

Discharge size 40 - 80



SEWAGE
GRINDER

KEY ADVANTAGES OF A GRINDER PUMP

APPLICATION

The electric pumps "Grinder" are particularly suitable for the capture and drainage of heavy rainwater, with solids and fibers. The grinding system ensures that all solids and fibers "are crushed into small pieces to pass through the turbine and tubes.

INSTALLATION

Permanent or transportable. Model with float switch control for automatic pump operation, depending on liquid level in the sump.

MATERIALS

Double seals, lip seals and reinforced SIC-SIC mechanical seal. Motor casing, pump body and open impeller in cast iron, 420 stainless steel shaft. Grinder system.

PUMPED LIQUID

Water loaded with solids and fibers. Max. liquid temperature: 35°C.

MOTOR

Fully submersible, pressure tight electric motor. Stainless steel motor- and pump housing. Insulation class F. Motor protection IP 68. Thermal sensors imbedded in the motor winding.

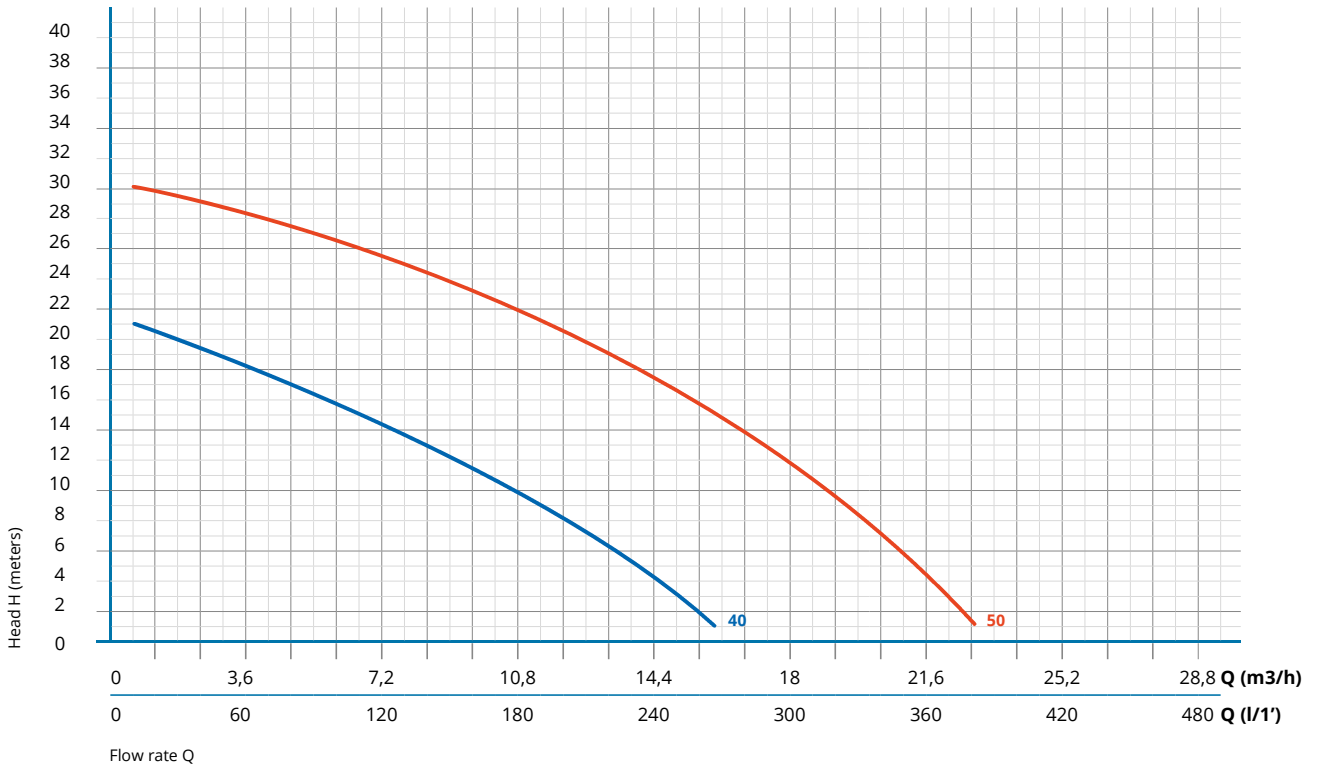
FEATURES

Power cable: 10 m neoprene for SGR40.
Power cable: 20 m neoprene for SGR50.
Immersion depth of 10 m.
Protection box in monophasic version
Ideal for installation with guide rail.

CHARACTERISTIC CURVES AND PERFORMANCE DATA

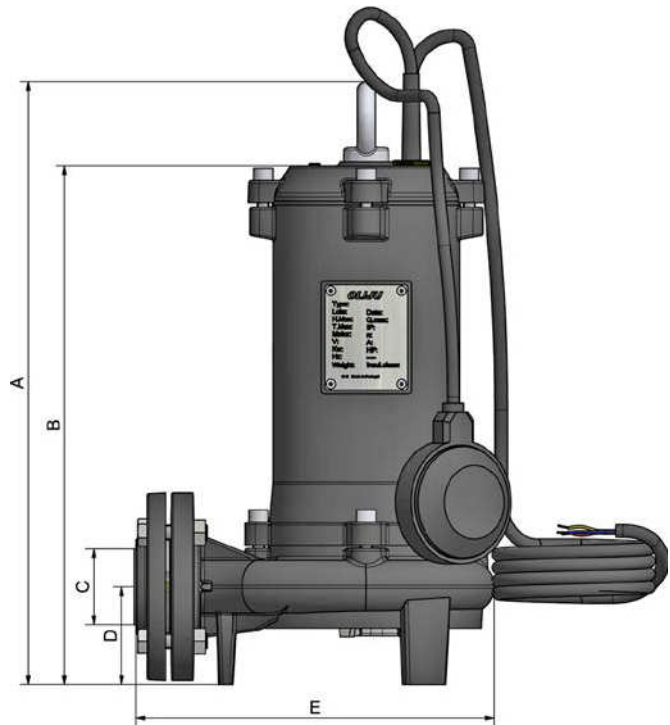
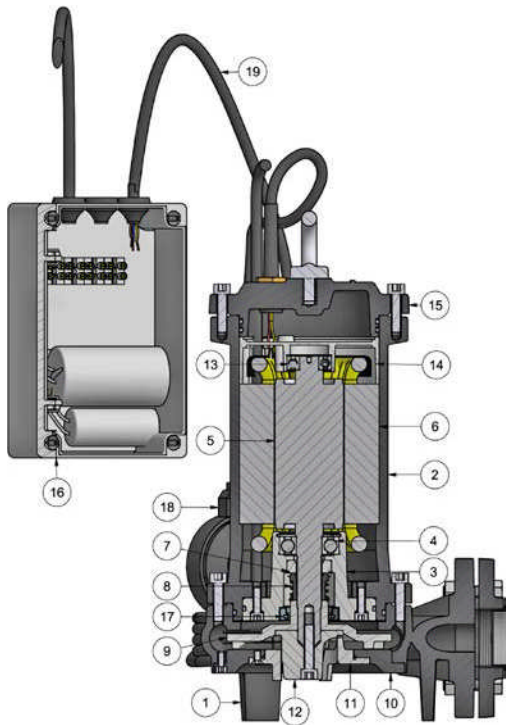
50 Hz

SEWAGE
GRINDER



TYPE	POWER kW	MOTOR			PORT DN	Q															
		1~ A	1~ µF	3~ A		m³/h	0	1,5	3	4,5	6	7,5	10,5	12	15	18	21				
SGR 40.150	1,5	7,2	35	2,1	1"½	l/min	0	25	50	75	100	125	175	200	250	300	350				
						H - meters	21	20	18,8	17,4	15,9	14,2	10,3	8,1	3,1						
SGR 50.220	2,2	10	40	4,6	2	H - meters	30	29,8	29,4	28,8	27,8	26,7	23,6	21,7	17,2	11,7	4,9				

COMPONENTS, MATERIALS, DIMENSIONS AND WEIGHT



SEWAGE
GRINDER

POS	COMPONENT	MATERIALS
1	Body Pump	Cast Iron
2	Motor Casing	Cast Iron
3	Rotor Support SGR	Cast Iron
4	Bearing	Steel
5	Rotor / Shaft	Steel and Aluminium / Stainless Steel
6	Stator	-
7	Mechanical Seal Fixe	Nitrile Rubber / Ceramics
8	Mechanical Seal Mobile	Graphite Steel
9	Impeller	Cast Iron
10	Bottom Cover	Cast Iron
11	Crushed Dish	Stainless Steel
12	Crusher	Stainless Steel
13	Bearing	Steel
14	Top Engine Support	Aluminium
15	Top Cover	Cast Iron
16	Simple Cover Board	-
17	Lip Seals	Nitrile Rubber
18	Float	Neoprene Plastic
19	Power Cable	Neoprene

TYPE	DIMENSIONS (mm)					WEIGHT Kg
	A	B	C	D	E	
SGR 40.150	402	349	1"½	65	238	26,5
SGR 50.150	470	415	2"	95	294	36