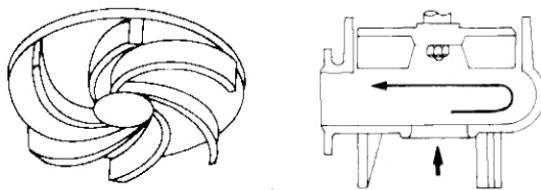




## JS-Sv Series Single Phase Vortex Impeller Pumps

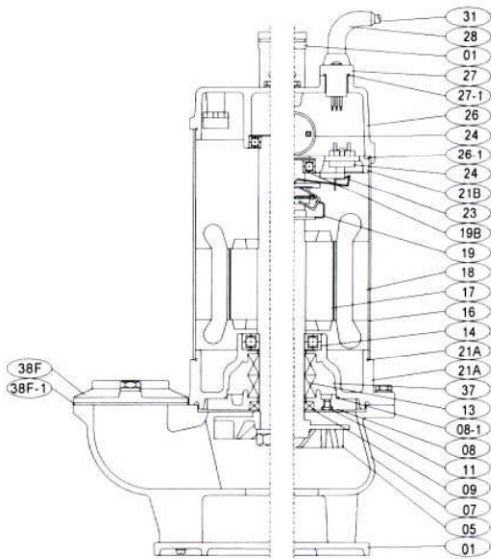


JS-SV series are heavy duty submersible sewage vortex impeller pumps allowing mud, raw sewage, viscous liquids, wood chips and other soft solids to be passed through the pump body to waste.

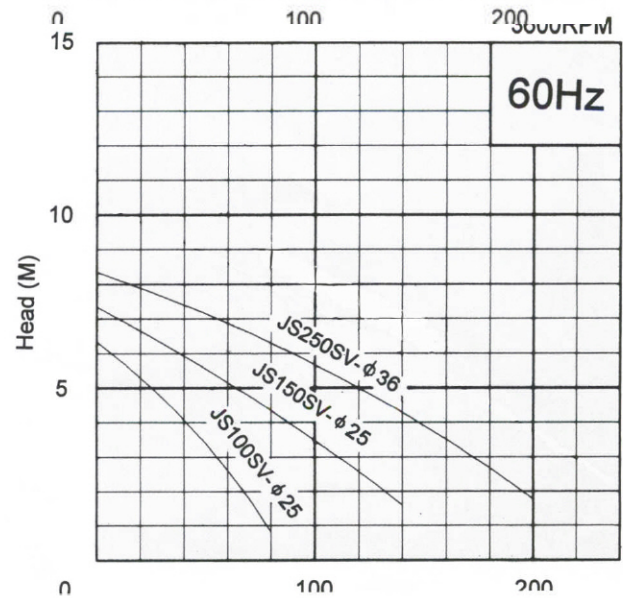
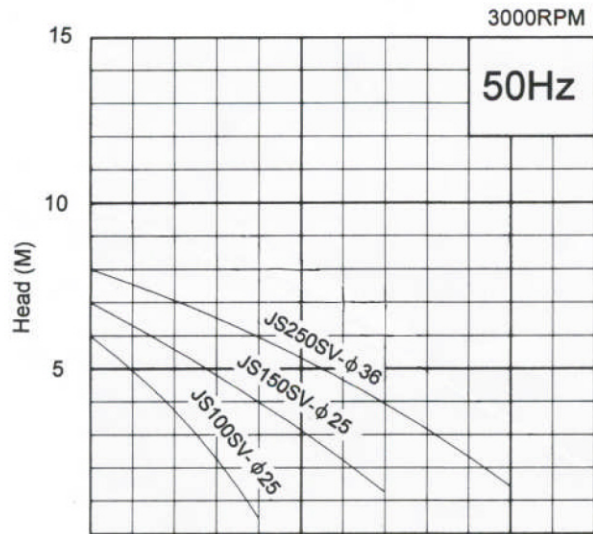
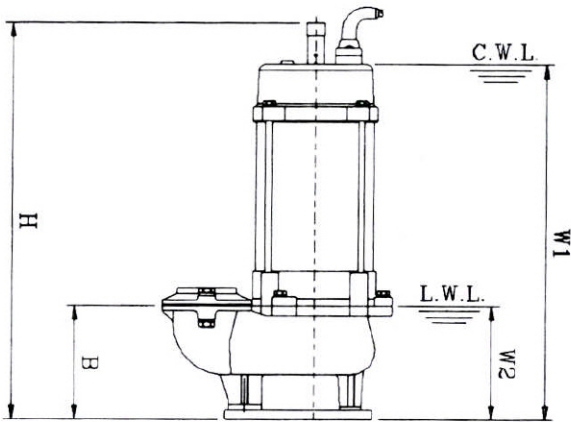
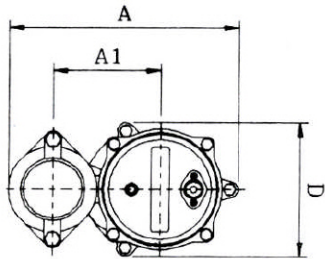
- Supplied as a free standing pump. Guide rails available for some models
- JS-150Sv comes with a plastic motor lid, lower motor /bearing housing and impeller.
- JS-250Sv comes with a cast iron pump body, impeller, lower motor bearing/seal housing and motor top cover.
- Stainless steel shaft and motor casing capable of with standing rough handling and sandy water pumping.
- JS-150Sv with single silicon mechanical seal.
- JS-250Sv with twin carbon ceramic and silicon carbide mechanical seals.
- Complete with 10 metres of power cable.
- Hose tails are supplied with all models.
- Floats available as extras (AG22 up to 400w, MAC3 up to 750w).
- Internal Thermal Protection

MODEL	WEIGHT	DIMENSIONS	FLOW / HEAD	POWER	SOLIDS DIAMETER
	Kg	H x W x L mm	LM/ HM	kW	MAX SOLIDS
JS-150 SV MAN 230v	6.6	300 x 115 x 160	120/7	0.15	25mm
JS-150 SV MAN 110v	6.6	300 x 115 x 160	120/7	0.15	25mm
JS-250 SV MAN 230v	15.2	420 x 145 x 215	20/8	0.25	36mm
JS-250 SV MAN 110v	15.2	420 x 145 x 215	220/8	0.25	36mm
JS-150 SV AUTO 230v	6.6	300 x 115 x 160	120/7	0.15	25mm
JS-150 SV AUTO 230v	6.6	300 x 115 x 160	120/7	0.15	25mm
JS-250 SV AUTO 230v	15.2	420 x 145 x 215	220/8	0.25	36mm
JS-250 SV AUTO 110v	15.2	420 x 145 x 215	220/8	0.25	36mm
JS-150 SV AUTO-AG 230v	6.6	300 x 195 x 160	120/7	0.15	25mm
JS-150 SV AUTO-AG 110v	6.6	300 x 195 x 160	120/7	0.15	25mm
JS-250 SV AUTO-AG 230v	15.2	300 x 225 x 215	220/8	0.25	36mm
JS-250 AUTO-AG110v	15.2	300 x 225 x 215	220/8	0.25	36mm

1 PHASE



No.	Description	No.	Description
01	STRAINER	21A	MOTOR BOTTOM COVER
05	IMPELLER	21A-1	ORING
07	PUMP HOUSING	21B	MOTOR UPPER COVER
08	OIL CHAMBER	23	OVERLOAD PROTECTOR
08-1	OPING	24	CONDENSOR
09	LIP SEAL (LOWER)	26	UPPER COVER
11	PLUGS	26-1	ORING
13	MECHANICAL SEAL	27	CABLE GLAND
14	BEARING (BOTTOM)	27-1	ORING
16	MOTOR CASING	31	CABLE
17	ROTOR SHAFT	34	HANDLE
18	STATOR	37	OIL
19	GOVERNOR SWITCH	38F	OUTLET
19-B	CENTRIFUGAL	38F-1	GASKET
20	BEARING (UP)		



Pump Type	Discharge bore	Pump section					Operating water level	
		d	A	A1	B	D	H	W1
JS150 SV	1 1/4"(32)	165	80	75	120	305	250	100
JS250 SV	1 1/2"(40)	215	110	115	135	390	330	125